

PTFE Clear Butterfly Valve Guards

Ideal for Acid / Caustic / EI15 Oil and Diesel mist prevention

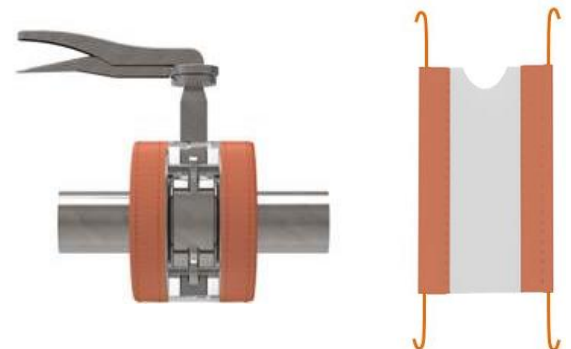
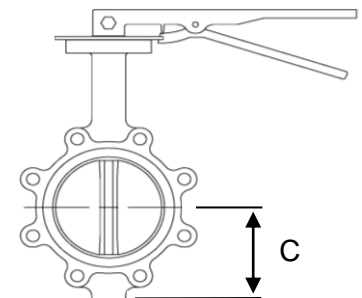
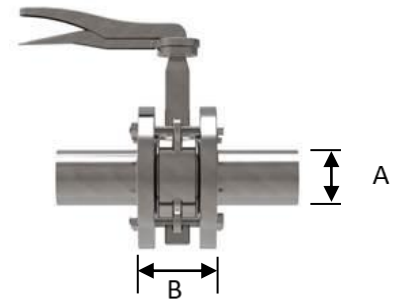
The PTFE-Clear shield is manufactured from Teflon coated fibreglass, with wide central band of clear Teflon (ECTFE). This permits visual inspection of the valve and any leaking fluid.

The easy to fit, lock tight, fastening system comprises a Velcro strip coupled with a braided 100% Teflon coated fibreglass draw string. When tightened the fabric is drawn over the flange bolts toward the pipe wall thus eliminating a lateral spray out.

For a detailed quotation please confirm "A" / "B" / "C" dimension & pressure rating.

Specification

Orange Cloth	:	PTFE coated fibreglass
Central Section	:	100% ECTFE
Stitching	:	PTFE coated fibreglass
Pull Cords	:	PTFE coated fibreglass
Max. Temperature	:	150 Deg C
Flange Ratings	:	ANSI / DIN / BS
Sizes	:	½" to 48"
Leak Detection	:	Visual
Typical Applications	:	Oil (fuel,lube,seal, etc) Acids, Caustics, Corrosives



Delivery

Most shield materials and sizes are available on a short lead time.
Call or e-mail sales@williamjohnston.co.uk

Revision date: 3rd February 2021





WILLIAM JOHNSTON
& COMPANY LIMITED
EXCLUSIVE SCOTTISH DISTRIBUTOR

Disclaimer

Please note, failure to select the correct materials or products we supply (“the Products”) may result in damage to plant, equipment or property. In some instances, it may cause death or personal injury. We are not designers and do not give advice about design related matters concerning the Products. We can help and assist with the technical specifications for the Products. In specific applications, particularly where critical conditions exist, we will try to assist you within the limitations of the services that we offer. All information supplied by us is intended as technical co-operation outlining the specifications of the different Products which we supply. To the extent permitted in law, no warranty is given in respect of any information supplied by us. The customer must satisfy themselves as to the suitability of the Products for their intended application and use. The correct fitting of Products is the responsibility of the customer. Your statutory rights remain unaffected. Save in respect of death, personal injury or fraud, our entire liability to you, however arising from the supply of Products shall be limited to the £10M indemnity amount provided by our insurers.